

## “Snubber” Pulsation Dampener for 685

### Application

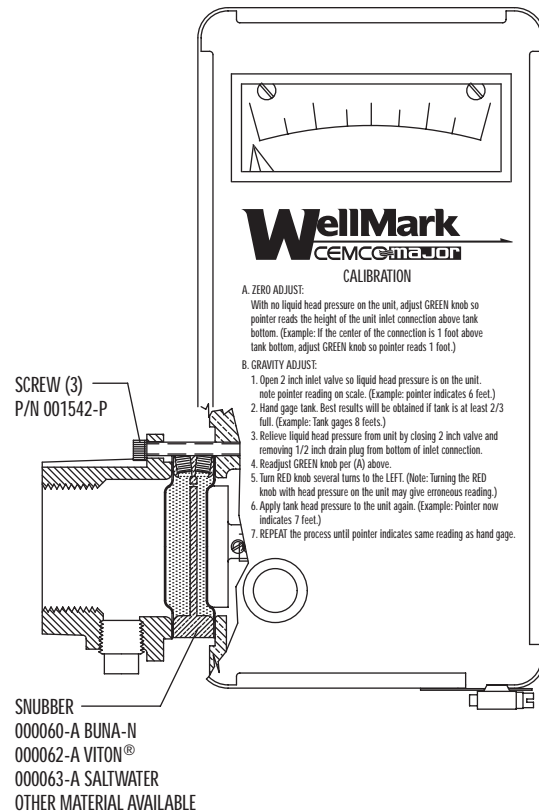
The Snubber is designed to permit the installation of the Major Level Control on the pump suction line without being affected by the surges as the pump starts or stops, or when any other condition results in rapid fluctuation of static head. Of the head type switches in common field use, only the Major Level Control is available with this built-in dampening feature.

### Features

- **Dependable:** Factory-sealed snubber assembly eliminates the possibility of orifice plugging from foreign matter.
- **Effective:** Rapid pulsation pressure peaks up to 30 psig resulting in no visible pointer motion.
- **Cost Saving:** The Snubber eliminates the necessity of a separate tank connection and field wiring from the pump unit to the Level Control. The Level Control can be shop mounted and wired on the pump unit skid at a considerable saving in field installation cost.

### Operation

Pressure on the upstream diaphragm forces the silicone oil through the orifice and against the downstream diaphragm. The orifice slows the rate of movement of silicone oil. If the head on the upstream diaphragm is suddenly increased from zero to 16', it takes 45 seconds for the pointer to reach the 16' reading. There is no disadvantage to this slowdown, since in normal operation it takes hours for the tank to fill from zero to 16'. The Snubber will operate satisfactorily at all ambient temperatures due to the almost flat viscosity-temperature curve of the silicone oil.



### Installation (Snubber to 685)

1. Remove the three cap screws attaching the housing adapter to the level control housing.
2. Remove the diaphragm.
3. Insert the Snubber between the adapter and the housing with the convex (protruding) diaphragm exposed to the liquid.
4. Install the three long screws furnished with the Snubber.  
NOTE: Due to the slow action of the pointer when a Snubber is used, the Level Control can be calibrated more quickly if the Snubber is first removed. Installation of the Snubber will not affect calibration of the Level Control.

## 685 Liquid Level Indicator for Atmospheric Vessels

### Determining the Model Number

Example given: Standard Model 685I-1G8-RN Liquid Level Indicator for Atmospheric (Vented) Vessels with, Level Indication Output, 2" NPTF (Cad Plated Ductile) Tank Connection, Buna-N Diaphragm, 0 to 16 Foot Indicator Scale, Standard Cast Natural Aluminum Housing.

#### MODEL 685 I-1 G 8-R N,X

\*For variations, change code to match requirements.

