



# Series TW-BP & BS

Bronze 3-Way  
Ball Valves

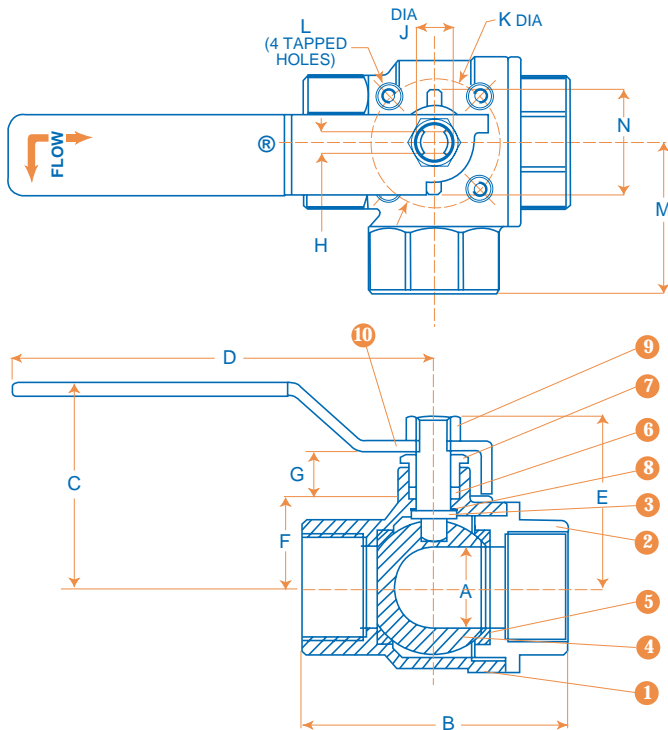


## FEATURES

- 3-Way "L" Port Construction
- Bronze Body with Plated Brass or 316SS Ball & Stem
- Full Port on 1/4" to 1-1/2" Sizes
- Standard 4-Bolt ISO 5211 Mounting
- Standard 304SS Handle
- 304SS Locking Bracket Available
- Low Operating Torque
- 600WOG Pressure Rating
- High Cv Factors - Low Pressure Drop

## RATINGS

600PSIG @ 100°F Water, Oil, Gas  
125 PSIG Saturated Steam



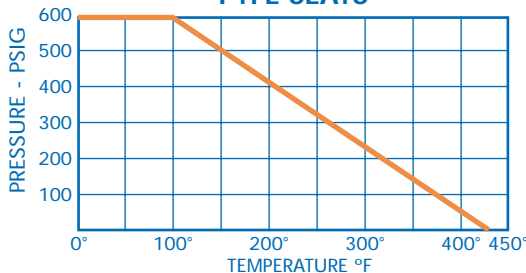
## MATERIALS OF CONSTRUCTION

PART	QTY.	DESCRIPTION	STANDARD MATERIAL
1	1	BODY	BRONZE B584 C84400
2	1	TAILPIECE	BRASS B16 OR BRONZE C84400
3	1	STEM	BRASS B16 OR 316SS (on 3W-BS)
4	1	BALL	BRASS B16 OR 316SS (on 3W-BS)
5	2	SEAT	PTFE
6	1	STEM PACKING	PTFE
7	1	PACKING NUT	BRASS B16
8	1	THRUST WASHER	PTFE
9	1	HANDLE NUT	304SS
10	1	HANDLE ASSY	304SS

## DIMENSIONS & WEIGHTS

SIZE	A (PORT)	B	C	D	E	F	G	H	J (DIA)
1/4"-3/8"	0.43	2.3	1.8	3.8	1.50	0.64	0.53	0.20	0.31
1/2"	0.50	2.6	1.8	3.8	1.50	0.65	0.54	0.20	0.31
3/4"	0.75	2.8	2.4	4.9	2.00	0.98	0.43	0.28	0.44
1"	0.95	3.3	2.7	4.9	2.19	1.20	0.40	0.28	0.44
1-1/4"	1.23	3.9	3.0	5.5	2.73	1.58	0.45	0.35	0.56
1-1/2"	1.42	4.3	3.6	5.5	2.97	1.81	0.45	0.35	0.56
2"	1.42	4.7	3.6	5.5	2.97	1.80	0.47	0.35	0.56

## PTFE SEATS



SIZE	K (DIA)	L 4 TAPPED HOLES	M	N	ISO PATTERN	WT. LBS.	CV	MAX TORQUE PTFE
1/4"-3/8"	1.42	1/4"-20UNC	1.2	1.1	F03	0.9	4	50 IN-LB
1/2"	1.42	1/4"-20UNC	1.4	1.1	F03	1.0	5	75 IN-LB
3/4"	1.65	1/4"-20UNC	1.5	1.2	F04	1.5	14	120 IN-LB
1"	1.65	1/4"-20UNC	1.8	1.2	F04	2.3	17	140 IN-LB
1-1/4"	1.97	1/4"-20UNC	2.1	1.6	F05	3.9	26	200 IN-LB
1-1/2"	1.97	1/4"-20UNC	2.2	1.6	F05	5.9	40	250 IN-LB
2"	1.97	1/4"-20UNC	2.4	1.6	F05	6.5	48	370 IN-LB

# Quadrant<sup>®</sup>

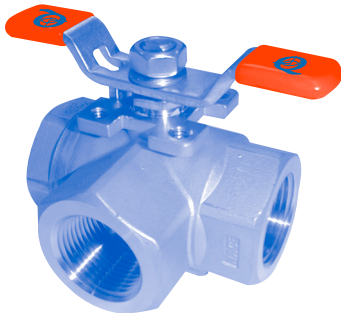
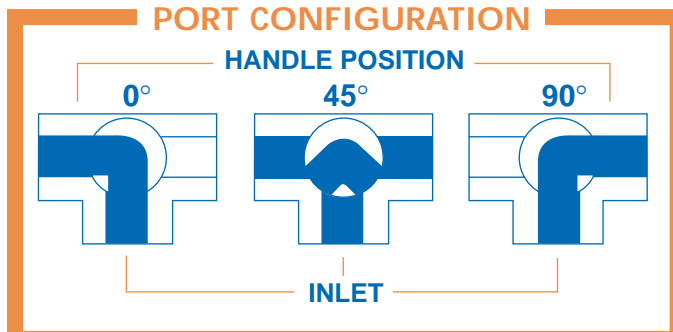
VALVE & ACTUATOR, LLC

## SERIES TW-BP & TW-BS REV. 3/04

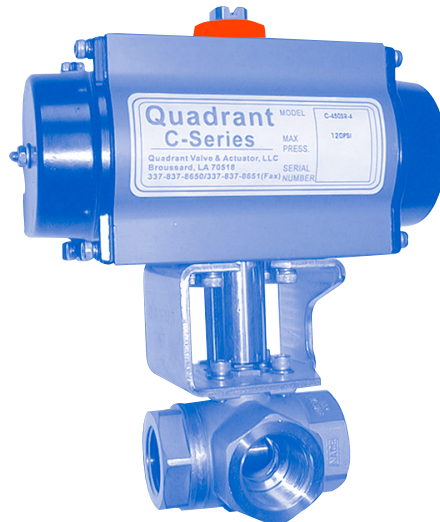
NUMBERING SYSTEM ... HOW TO ORDER:

**TW F B P V V SH TT 050**

SERIES	PORT SIZE	BODY MATERIAL	BALL/STEM MAT'L	SEAT MAT'L	SEAL MAT'L	HANDLE TYPE	ENDS	SIZE
TW= 3 WAY "L" PORT	F = FULL (1/4"-1-1/2") R = REDUCED (2")	B = BRONZE	P = PLATED BRASS S = 316 STAINLESS	V = PTFE R = R-PTFE	V = PTFE	SH = 304SS HANDLE SL = STAINLESS LOCKING XT = EXTENDED HANDLE BS = BALANCING STOP HANDLE	TT = FNPT	025 = 1/4" 038 = 3/8" 050 = 1/2" 075 = 3/4" 100 = 1" 125 = 1-1/4" 150 = 1-1/2" 200 = 2"



TB-SS with 304SS Tee Handle



TB-SS with C-Series Actuator & 304-SS Mounting Kit



1" 4W-SS 4-Way Ball Valve